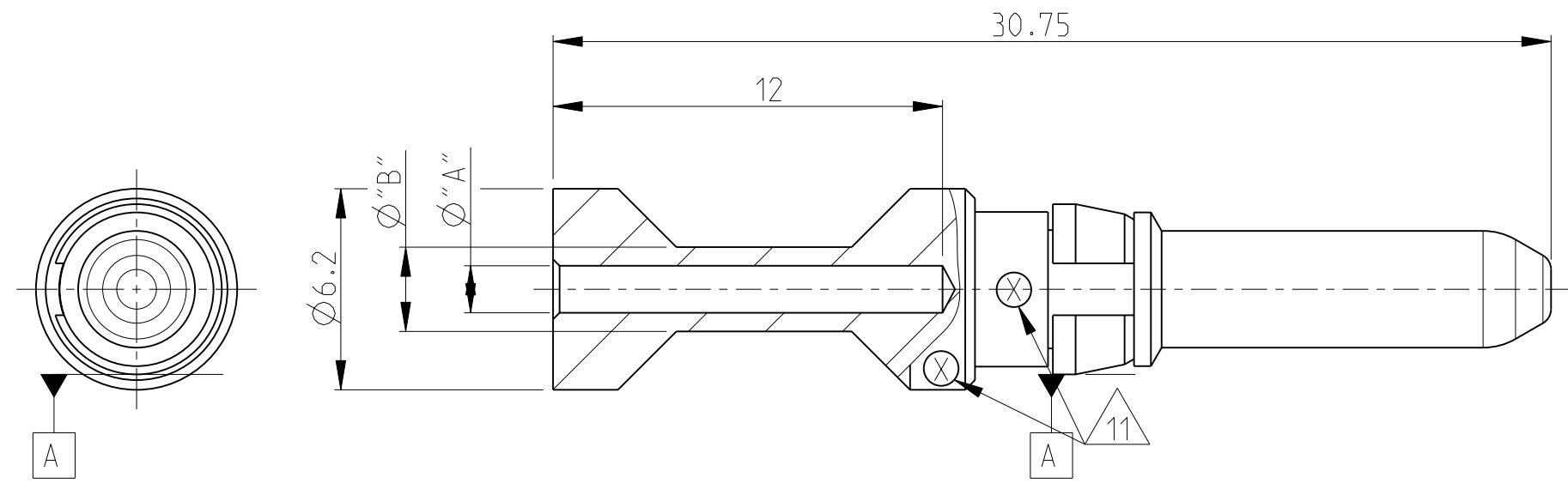


THIS DRAWING IS UNPUBLISHED. RELEASED FOR PUBLICATION 2006  
 © COPYRIGHT 2006 BY TYCO ELECTRONICS CORPORATION. ALL RIGHTS RESERVED.

LOC	DIST	REVISIONS				
P	LTR	DESCRIPTION	DATE	DWN	APVD	
B1	-	A2	PN3-2; 5-2; 6-2 OBSOLETE Eg00-1426-03	17.04.03	SR	SM
		A3	ECR-09-005436	10MAR2010	VG	MH



Notes

- 1 MATERIAL: BRASS
- 2 FINISH SILVER PLATING: 2 µm Ag MIN. OVER Cu
- 3 FINISH GOLD PLATING: 0.75 µm Au MIN. OVER Ni
- 4 NO VENTILATION HOLE REQUIRED AT CROSS-SECTION >4.0 MM<sup>2</sup>
- 5 WEIGHT: 3.33 g, VOLUME: 394mm<sup>3</sup> (APPROX.)
- 6 SUITABLE SOCKET CONTACT: CUSTOMER DRAWING 1105251
- 7 SUITABLE INSERTS: SERIES HSM, CUSTOMER DRAWING
- 8 SUITABLE CRIMP TOOL: PN 1-1105850-8
- 9 SUITABLE INSERTION TOOL: PN 0-1102855-6
- 10 SUITABLE EXTRACTION TOOL: PN 0-1102855-4
- 11 CROSS-SECTION MARKING
- 12 STANDARDS: DIN EN 61984, DIN EN 60664-1

ORDERING TEXT	PLATING	CROSS SECTION	DIMENSIONS	CROSS-SECTION MARKINGS	STRIPPING-LENGTH
OBSOLETE	HSM.Sti.C.Au	10.0mm <sup>2</sup>	10	4.35 5.9	8 12
OBSOLETE	HSM.Sti.C.Au	6.0mm <sup>2</sup>	6.0	3.5 4.9	7 12
	HSM.Sti.C.Au	4.0mm <sup>2</sup>	4.0	2.85 3.9	6 12
OBSOLETE	HSM.Sti.C.Au	2.5mm <sup>2</sup>	2.5	2.2 3.2	5 12
	HSM.Sti.C.Au	1.5mm <sup>2</sup>	1.5	1.8 3.0	4 12
	HSM.Sti.C.Au	0.75mm <sup>2</sup>	0.75-1.0	1.45 2.6	3 12
	HSM.Sti.C.Ag	10.0mm <sup>2</sup>	10	4.35 5.9	8 12
	HSM.Sti.C.Ag	6.0mm <sup>2</sup>	6.0	3.5 4.9	7 12
	HSM.Sti.C.Ag	4.0mm <sup>2</sup>	4.0	2.85 3.9	6 12
	HSM.Sti.C.Ag	2.5mm <sup>2</sup>	2.5	2.2 3.2	5 12
	HSM.Sti.C.Ag	1.5mm <sup>2</sup>	1.5	1.8 3.0	4 12
	HSM.Sti.C.Ag	0.75mm <sup>2</sup>	0.75-1.0	1.45 2.6	3 12
			[MM <sup>2</sup> ]	"A" "B"	[mm]

<small>THIS DRAWING IS A CONTROLLED DOCUMENT FOR TYCO ELECTRONICS CORPORATION IT IS SUBJECT TO CHANGE AND THE CONTROLLING ENGINEERING ORGANIZATION SHOULD BE CONTACTED FOR THE LATEST REVISION.</small>		DWN V.GLUMM 10MAR2010 CHK H.BRAUN 10MAR2010 APVD T.SCHNURPFIL 10MAR2010	<b>Tyco Electronics</b> Tyco Electronics AMP GmbH 53757 Sankt Augustin (Germany)		
DIMENSIONS: mm 		PRODUCT SPEC APPLICATION SPEC WEIGHT	NAME: PIN CONTACT SERIES HSM SIZE: A3 CAGE CODE: 00779 DRAWING NO: C-1105250 RESTRICTED TO: -		
MATERIAL: 1		FINISH: 2 3	CUSTOMER DRAWING SCALE: 5:1 SHEET 1 OF 1 REV: A3		

